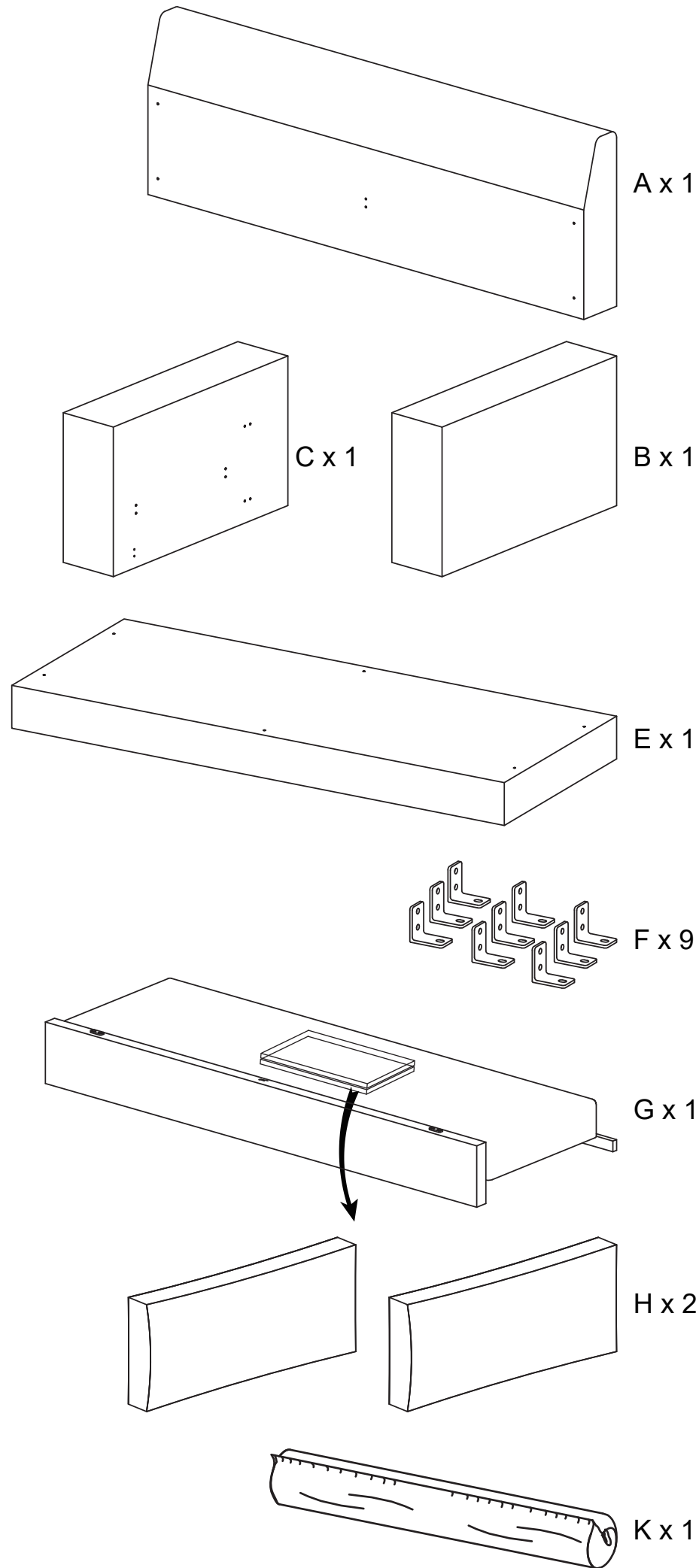




- ① x27
- ② x4
- ③ x1
- ④ x1
- ⑤ x1
- ⑥ x1
- ⑦ x8

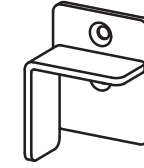


069958

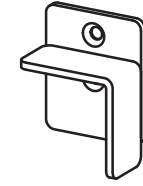
1



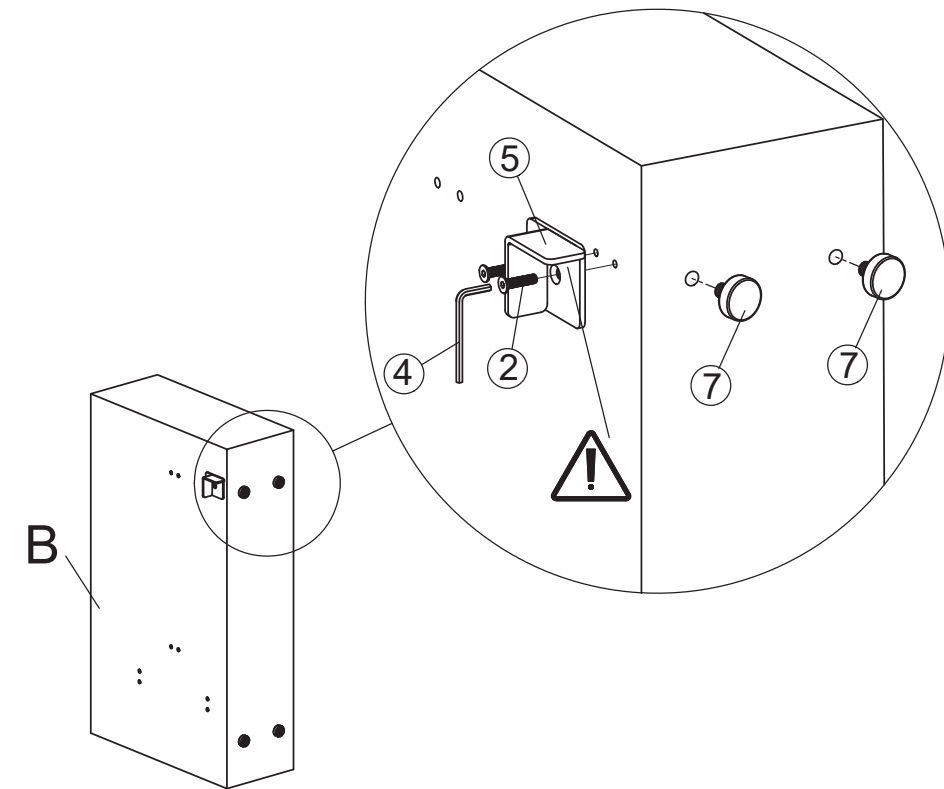
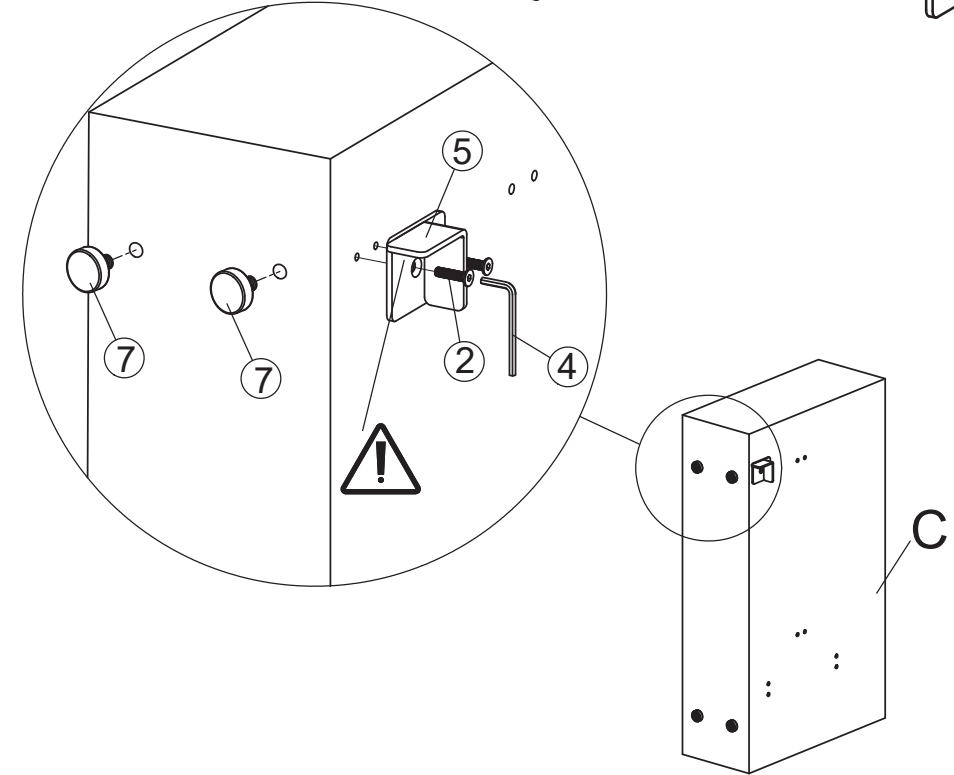
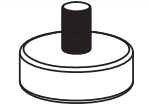
⑤ x1



⑥ x1



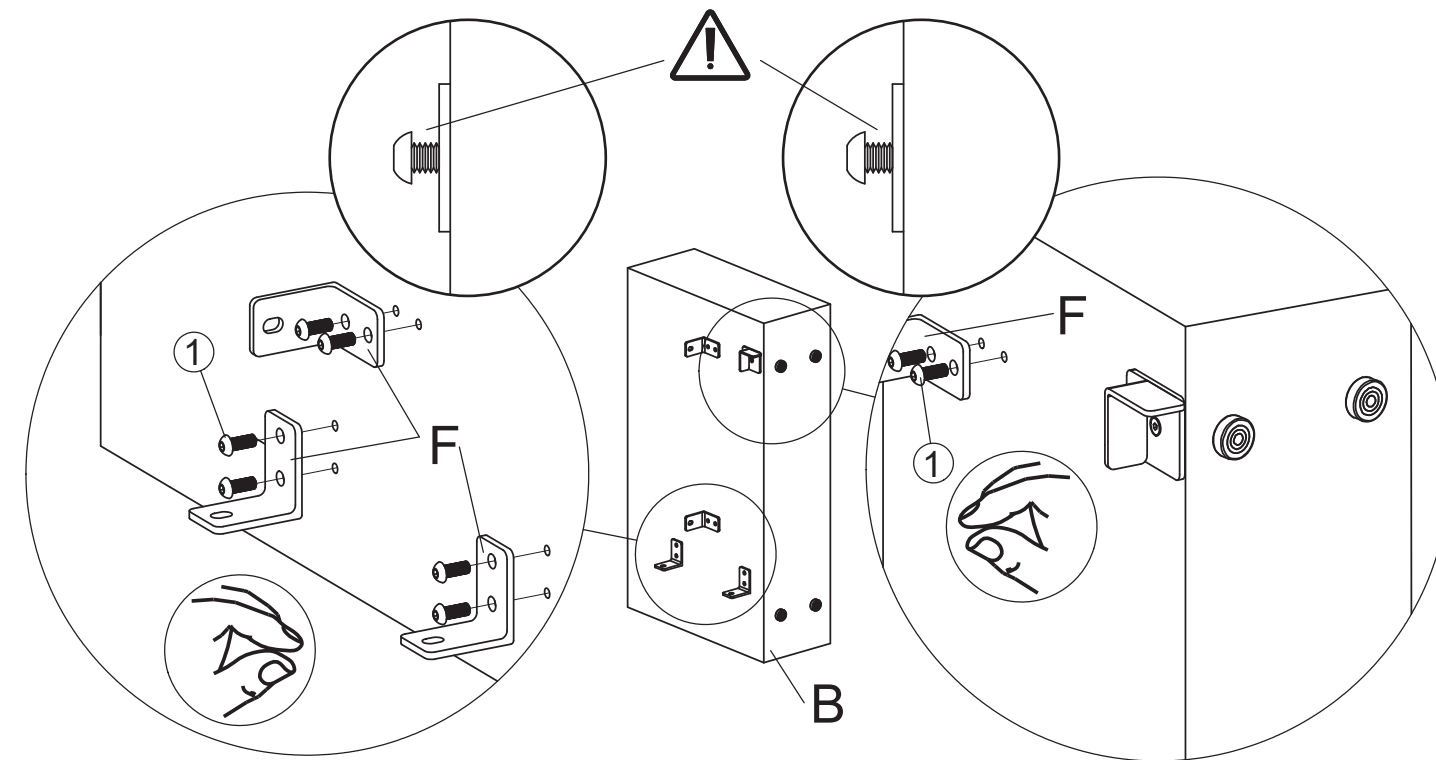
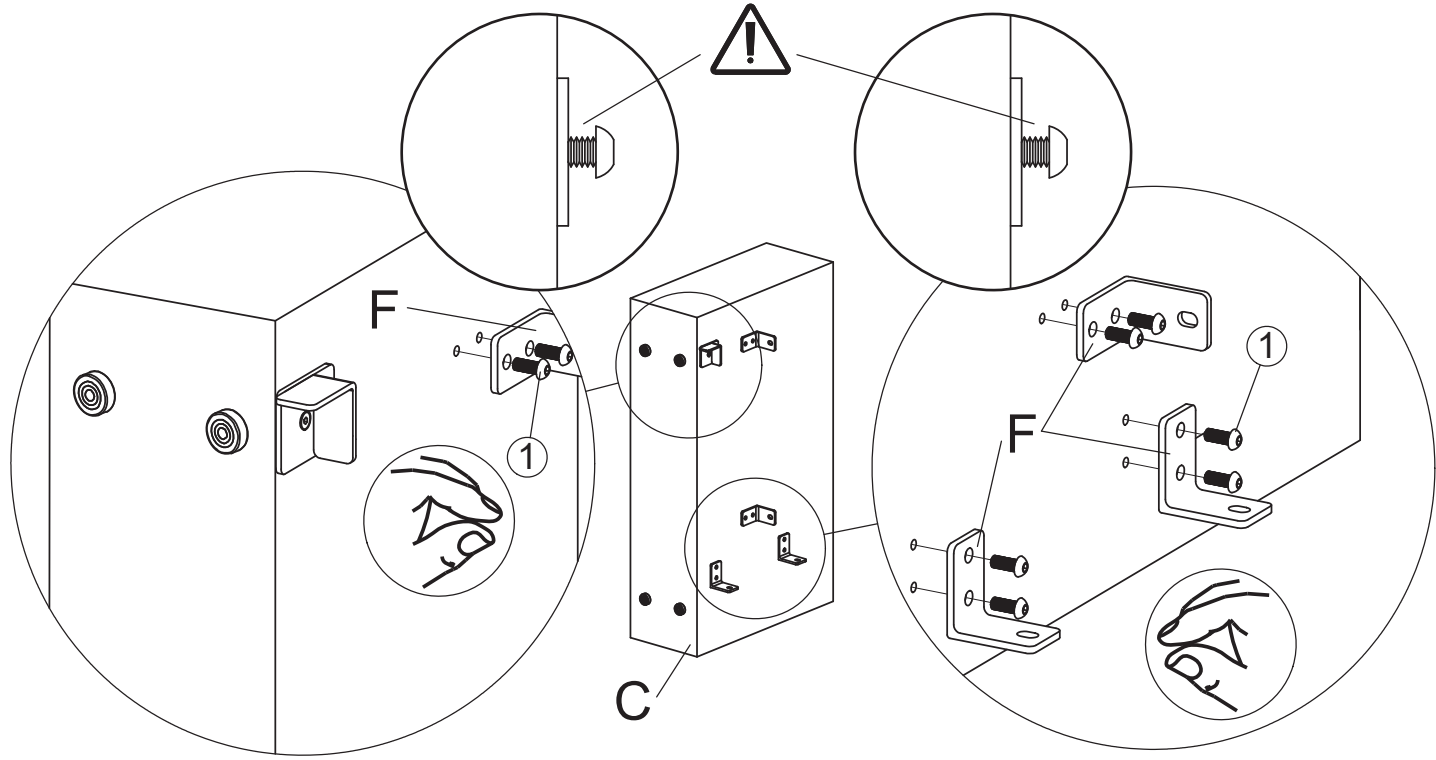
⑦ x8



2

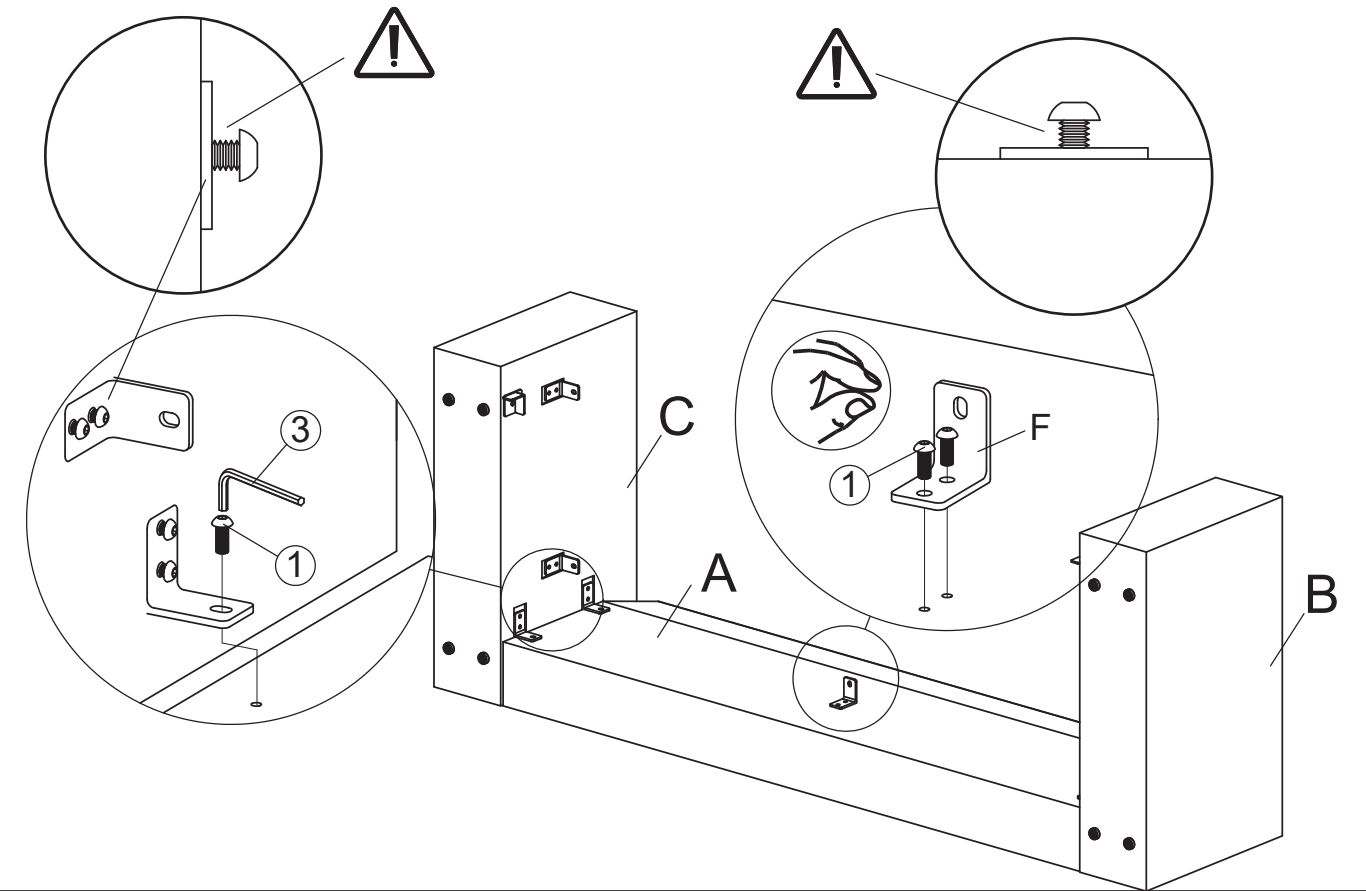
①x16 

069958

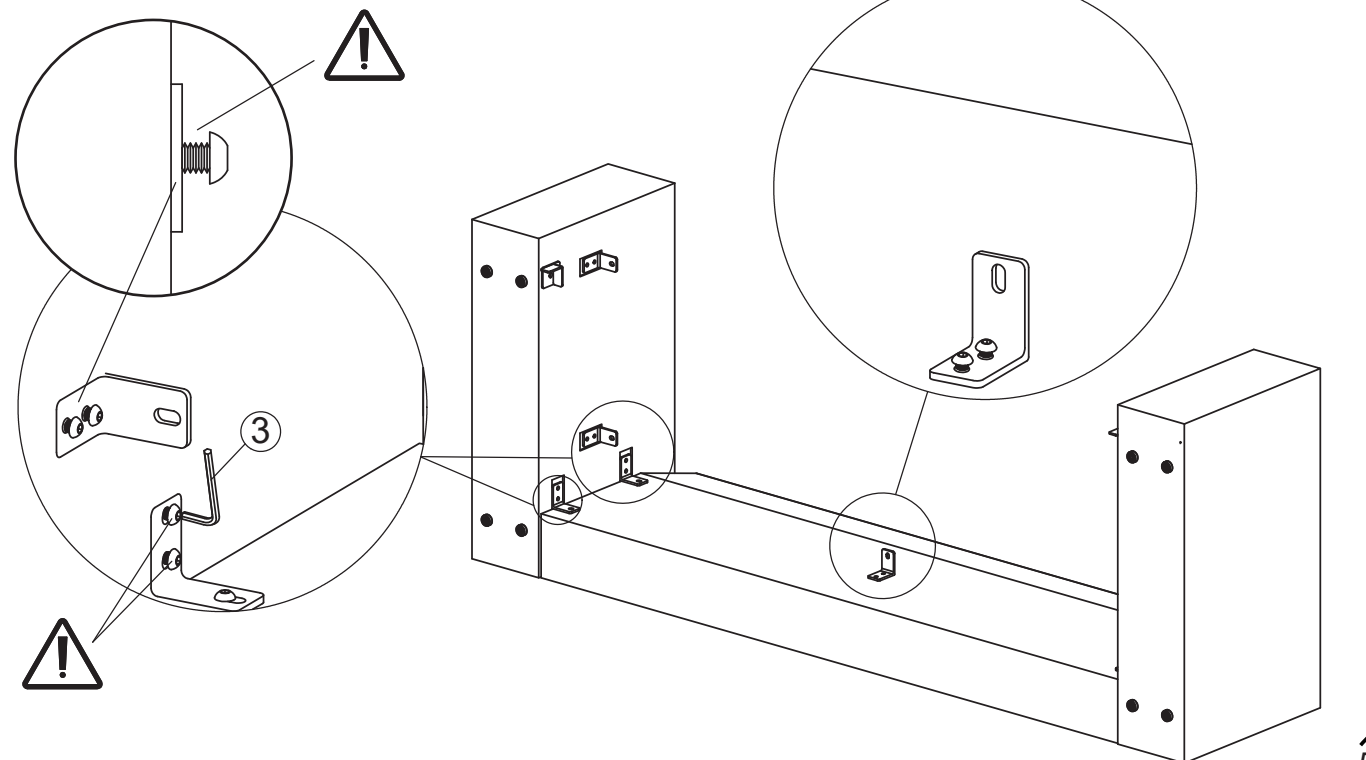


3

①x6 

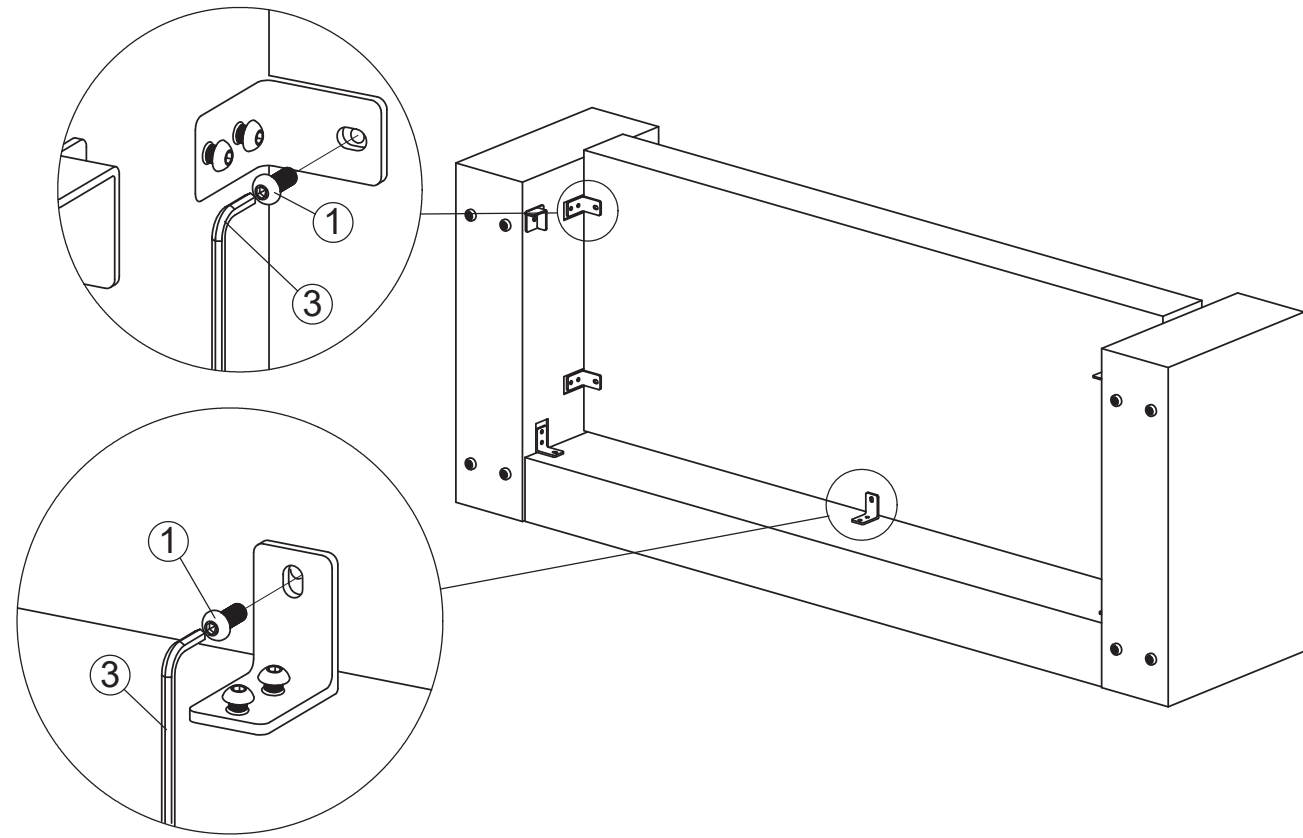


4



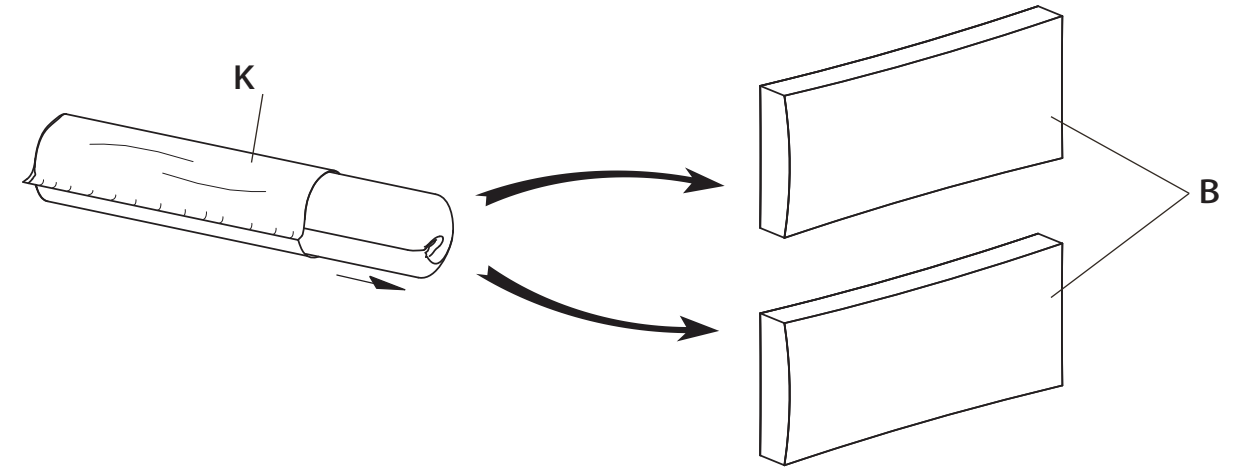
5

① x 5 

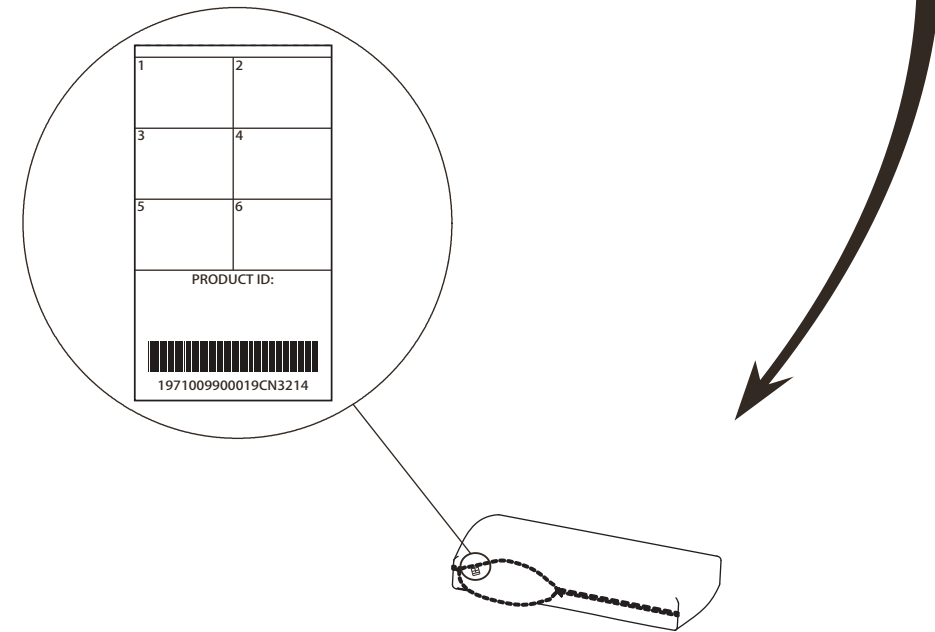
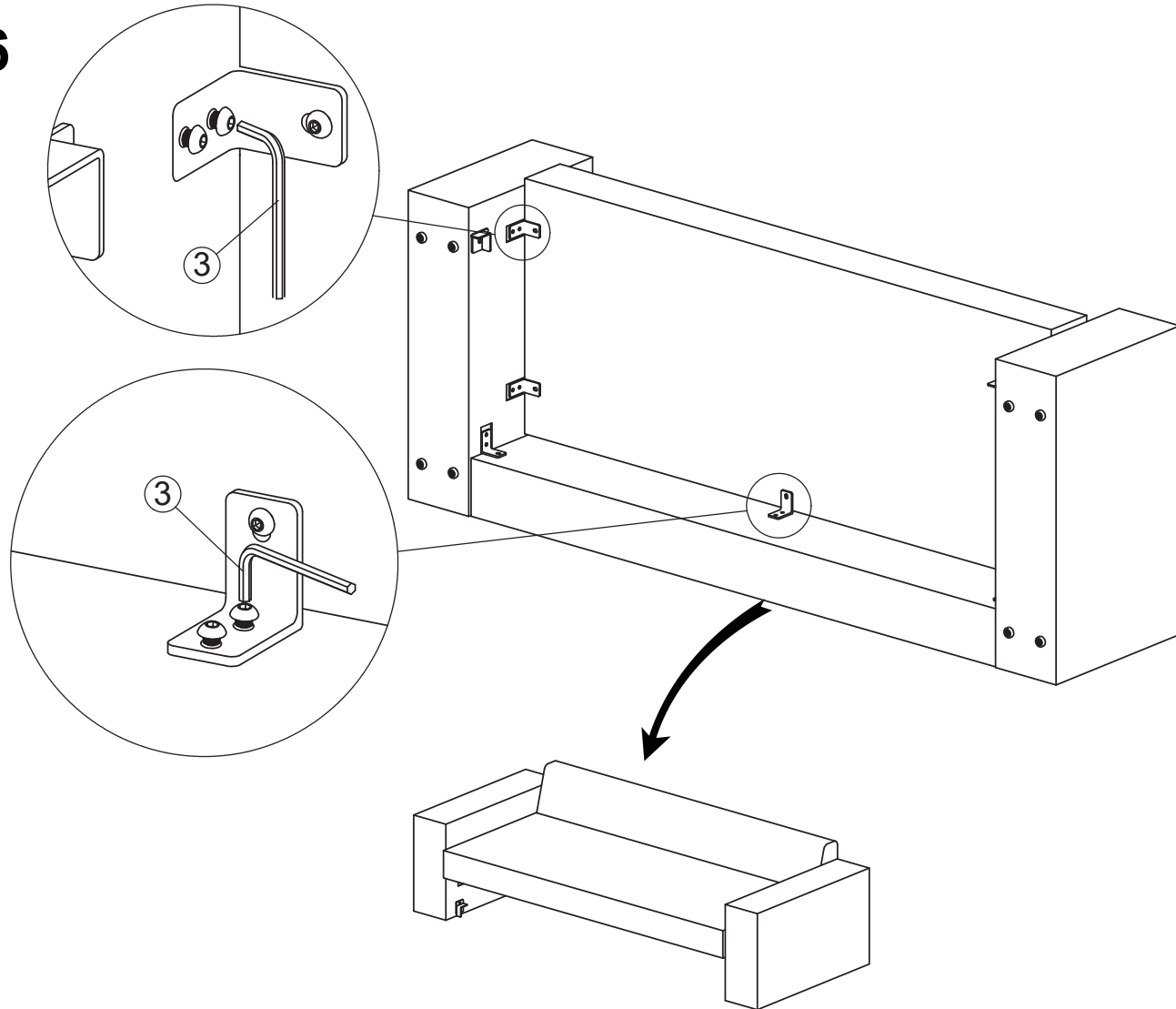


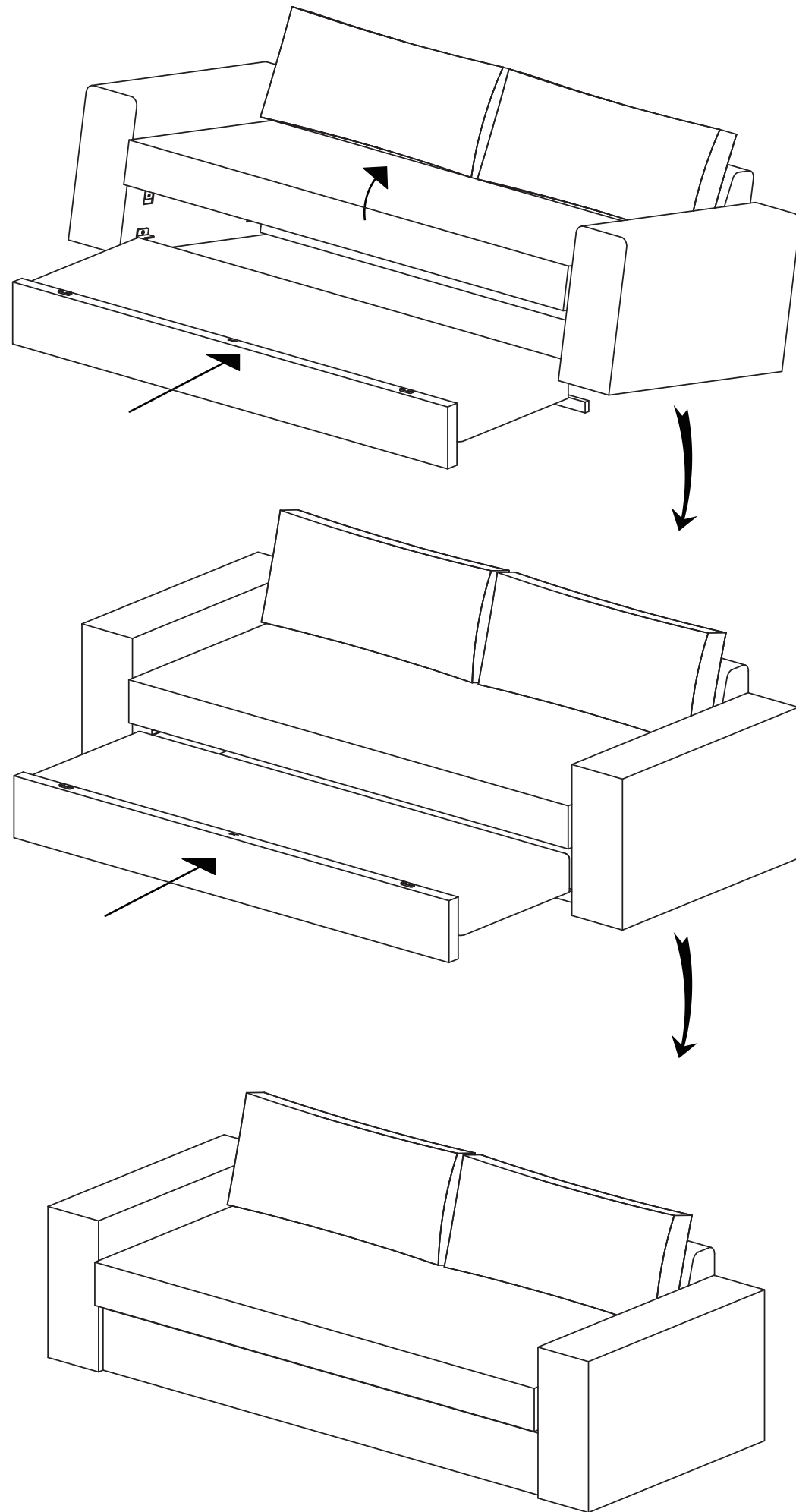
7

069958

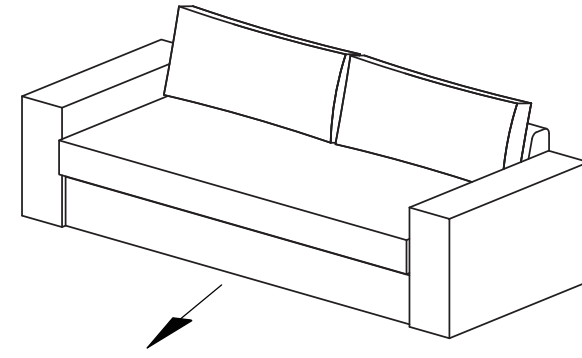


6



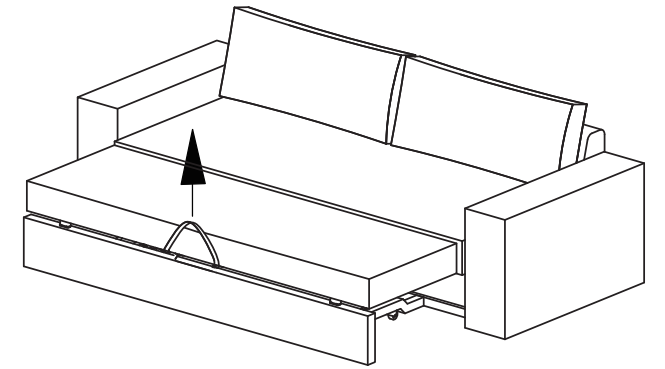


1



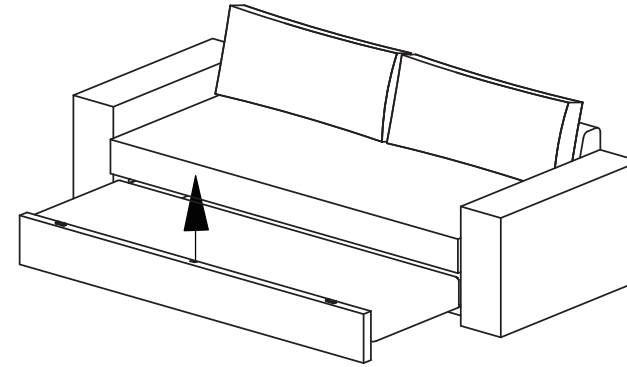
SIDDE-SITZEN-SIT-ASSISE

5

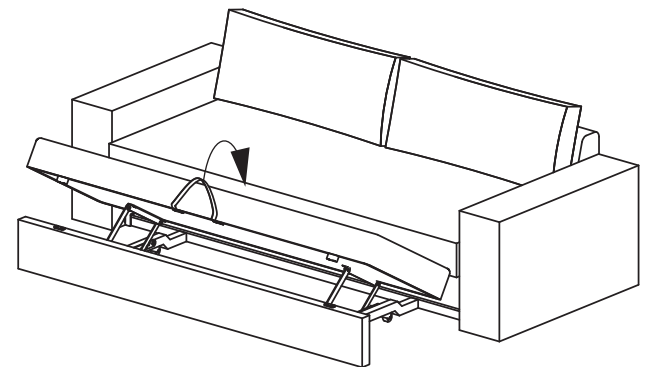


SOVE-SCHLAFEN-SLEEP-DORMIR

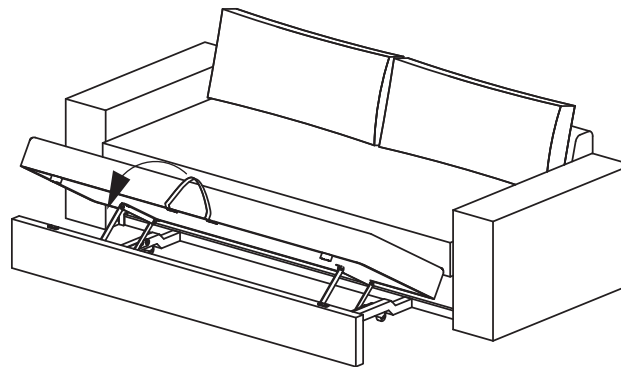
2



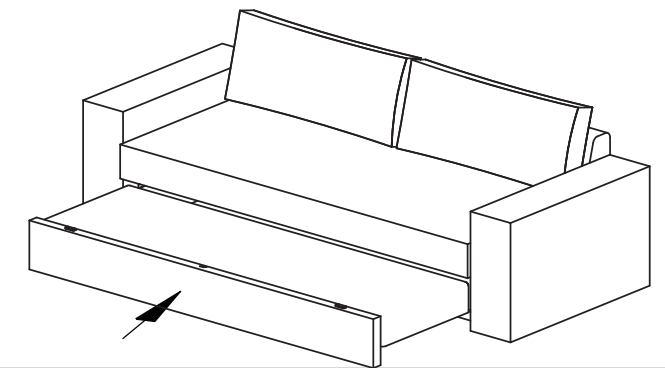
6



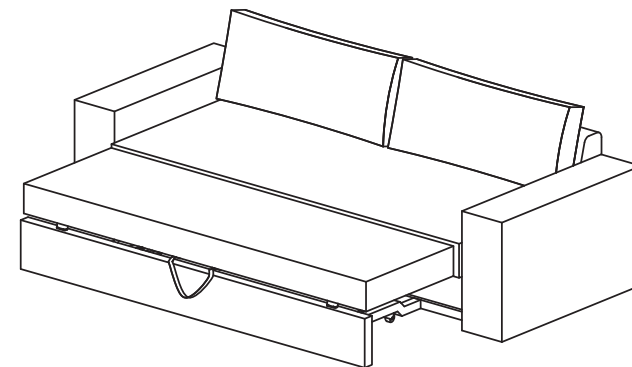
3



7

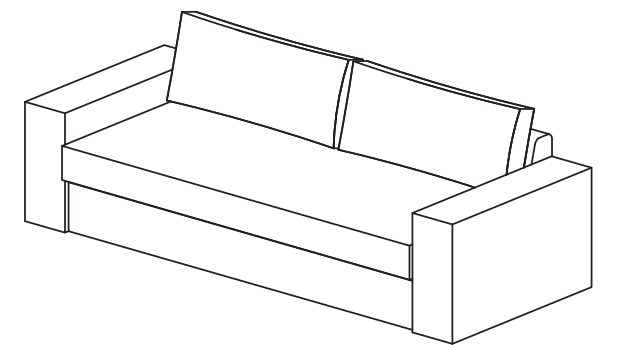


4



SOVE-SCHLAFEN-SLEEP-DORMIR

8



SIDDE-SITZEN-SIT-ASSISE 53.21